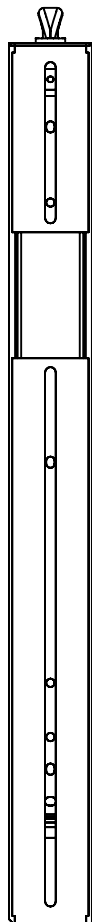
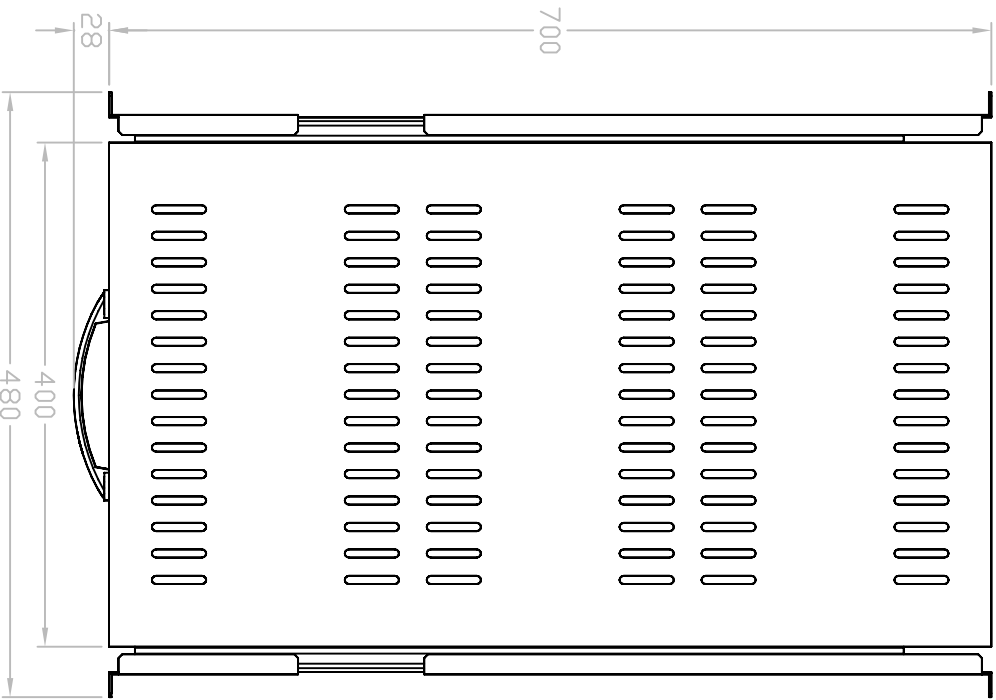


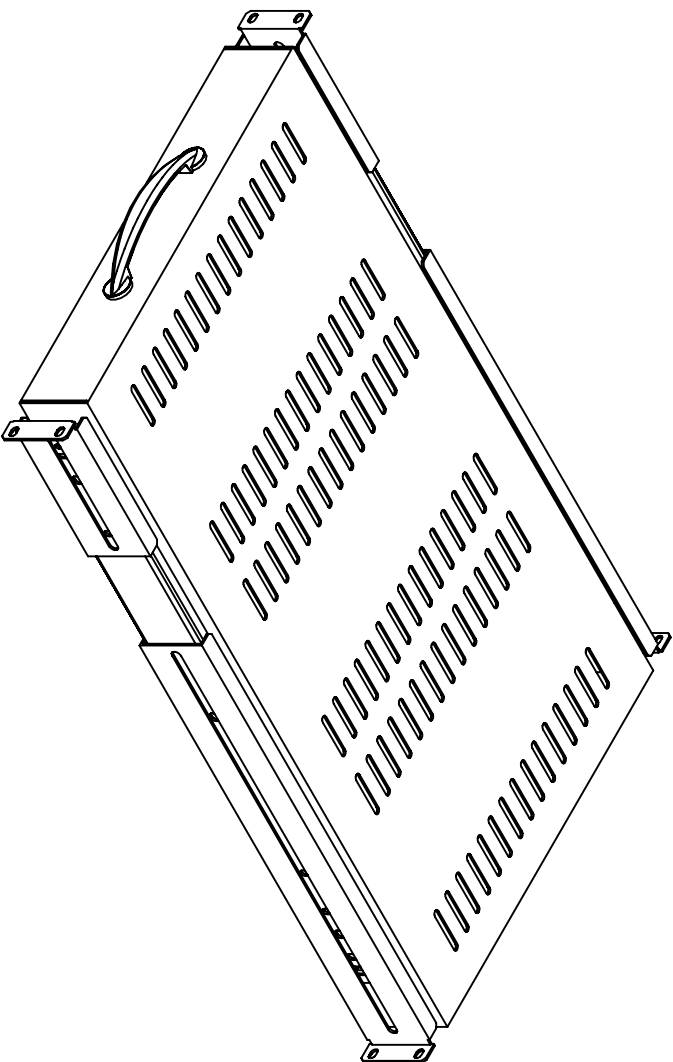
Front view




Left-side view



Top view



 Austin Hughes ISO Certified 9001 14001		Austin Hughes Electronics Ltd.	
		Project : HD7	Material : SPEC 20
Parts Number : PARTS	Quantity : 16	Rev. : 1	Scale : 1:1
Reference No. : REFERENCE	Drawn : BRAVNI	DATE	DATE
	Design : DESIGN	DATE	DATE
	Dimensions are in mm		