

BP-SS-2M 4-channel SATA Multilane BP for 3Ware

TW-000-50650 Rev:A1 SET-UP GUIDE

Description:

This backplane is a 1U form factor 4-channel SATA backplane, supporting an InfiniBand 4X multilane connector compatible with 3Ware™ 8506-xxMI series multilane RAID HBA.

It is designed to support SATA 1.0 [1.5Gb/sec data transfer rate.]

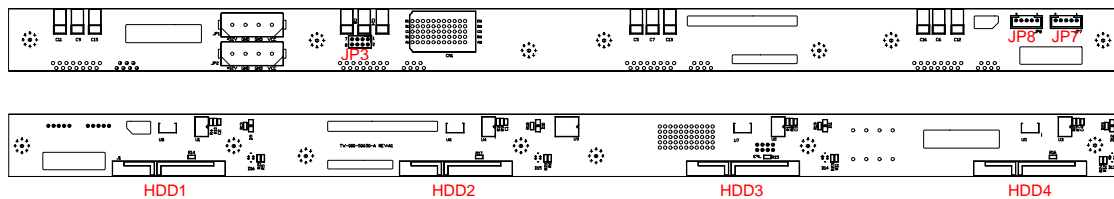
Features:

HDD Hot Swap [PnP supports]

Power LED – Blue [When HDD is present]

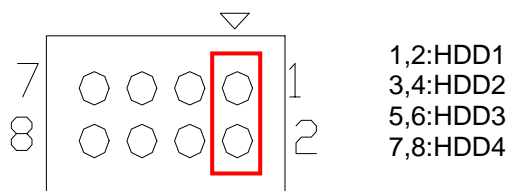
Access LED – Blue [Drive by controller]

HDD Fail LED – Red [Drive by controller or OS via optional I2C daughter board]

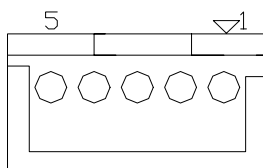


JP3 : Western Digital HDD Access LED enable

Some Western Digital HDD will support access LED signal from HDD itself via connector pin #18. If using WD HDD on this Backplane, CLOSE JP3 and Access LED will be driven by the HDD itself. If not using WD HDD please leave it OPEN.



JP7 – Access LED input header from HBA (Active Low)



Pin 1 – GND

Pin 2 – HDD 4

WHERE TO BUY

<http://www.rackmountnet.com>
email: sales@rackmountnet.com

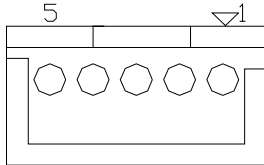
2372 Qume Dr, Suite E, San Jose, CA 95131
Call us at Toll Free: 1-866-955-0598

Pin 3 – HDD 3

Pin 4 – HDD 2

Pin 5 – HDD 1

JP8 – HDD Fail LED input header from HBA (Active Low)



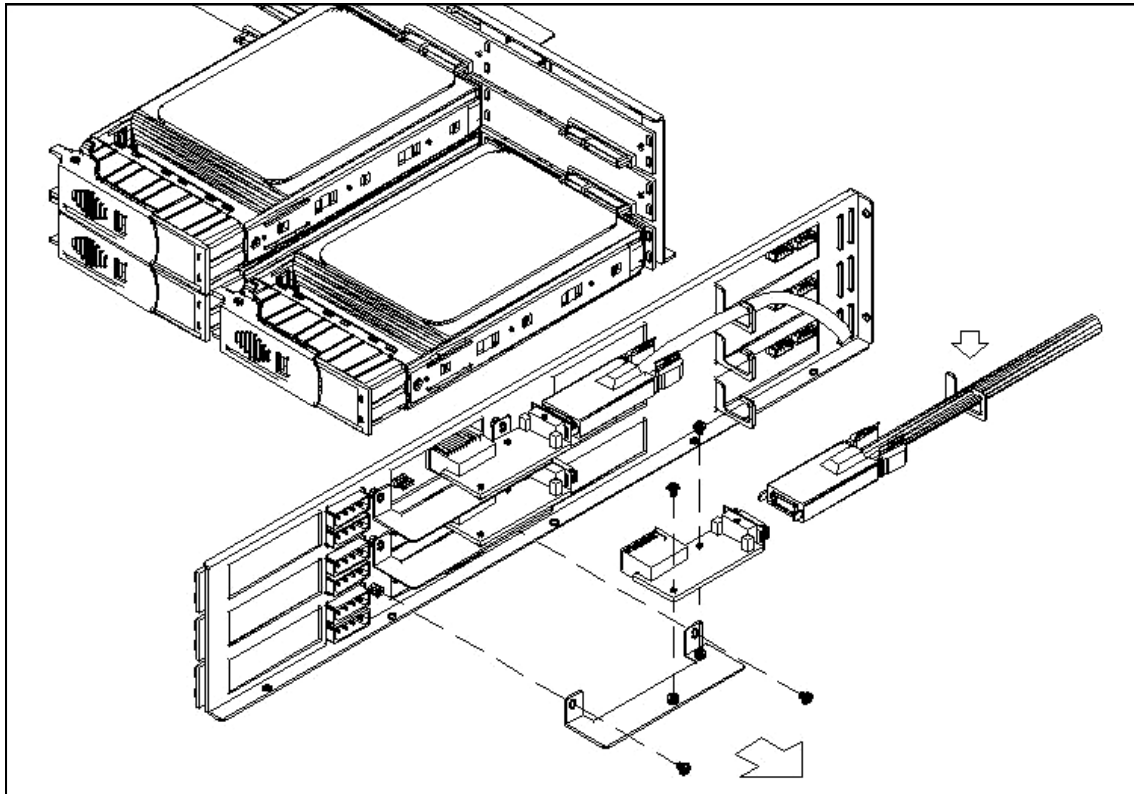
Pin 1 – GND

Pin 2 – HDD 4

Pin 3 – HDD 3

Pin 4 – HDD 2

Pin 5 – HDD 1



WHERE TO BUY

<http://www.rackmountnet.com>
email: sales@rackmountnet.com

2372 Qume Dr, Suite E, San Jose, CA 95131
Call us at Toll Free: 1-866-955-0598